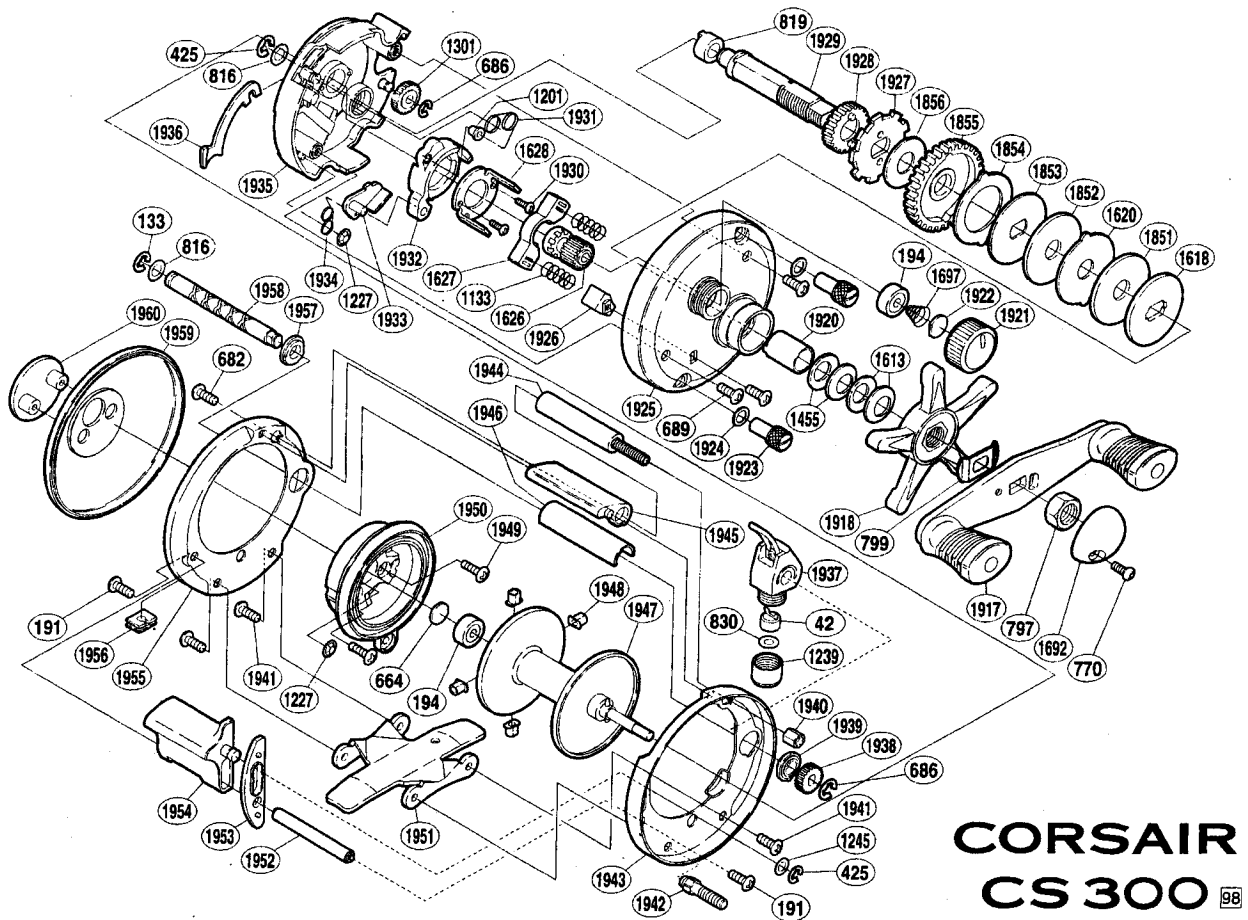


SHIMANO®

1998 REPAIR SUPPLEMENT



CORSAIR CS 300 98

'98 CS300

Part #	Description
BNT0042	Line Guide Pawl
BNT0133	"E" Lock
BNT0191	Clutch Bar Support Screw
BNT0194	Ball Bearing
BNT0425	"E" Lock
BNT0664	Spacer B
BNT0682	Thumb Rest Screw
BNT0686	"E" Lock
BNT0689	Right Side Plate Screw
BNT0770	Handle Nut Plate Screw
BNT0797	Handle Nut
BNT0799	Friction Washer
BNT0816	Shaft Washer
BNT0819	Drive Shaft Bushing
BNT0830	Spacer (Optional)
BNT1133	Yoke Spring
BNT1201	Retractor Spring Collar
BNT1227	Push Nut (SPN-2)
BNT1239	Pawl Cap
BNT1245	Clutch Bar Support Spacer
BNT1301	Idle Gear (B)
BNT1455	Drag Spring Washer (H)
BNT1613	Drag Spring Washer (L)
BNT1618	Key Washer (C)
BNT1620	Eared Washer
BNT1626	Pinion Gear
BNT1627	Yoke

Part #	Description
BNT1628	Clutch Cam Retainer
BNT1692	Handle Nut Plate
BNT1697	Spool Tension Spring
BNT1851	Drag Washer (C)
BNT1852	Drag Washer (B-2)
BNT1853	Key Washer (A)
BNT1854	Eared Washer (B-1)
BNT1855	Drive Gear
BNT1856	Drag Washer (A)
BNT1917	Handle Assembly
BNT1918	Star Drag
BNT1920	Roller Clutch Inner Tube
BNT1921	Cast Control Cap
BNT1922	Cast Control Spacer
BNT1923	Right Side Plate Nut
BNT1924	Right Side Plate Nut Washer
BNT1925	Right Side Plate Assembly
BNT1926	Return Pin Guide
BNT1927	Anti-Reverse Ratchet
BNT1928	Idle Gear (A)
BNT1929	Drive Shaft
BNT1930	Clutch Cam Screw
BNT1931	Retractor Spring
BNT1932	Clutch Cam
BNT1933	Clutch Pawl
BNT1934	Clutch Pawl Spring
BNT1935	Set Plate

Part #	Description
BNT1936	Clutch Plate
BNT1937	Line Guide Assembly
BNT1938	Idle Gear (C)
BNT1939	Worm Bushing (A)
BNT1940	Frame Nut
BNT1941	Stand Screw
BNT1942	Stand Bolt
BNT1943	Right Side Frame
BNT1944	Frame Bar
BNT1945	Thumb Rest
BNT1946	Level Wind Guard
BNT1947	Spool Assembly
BNT1948	Brake Collar
BNT1949	Left Side Plate Screw
BNT1950	Brake Case
BNT1951	Stand
BNT1952	Clutch Bar Support
BNT1953	Clutch Bar Guide
BNT1954	Quick-Fire II Clutch Bar
BNT1955	Left Side Frame
BNT1956	Drain
BNT1957	Worm Bushing (B)
BNT1958	Worm Shaft
BNT1959	Left Side Plate
BNT1960	Left Side I.D. Plate