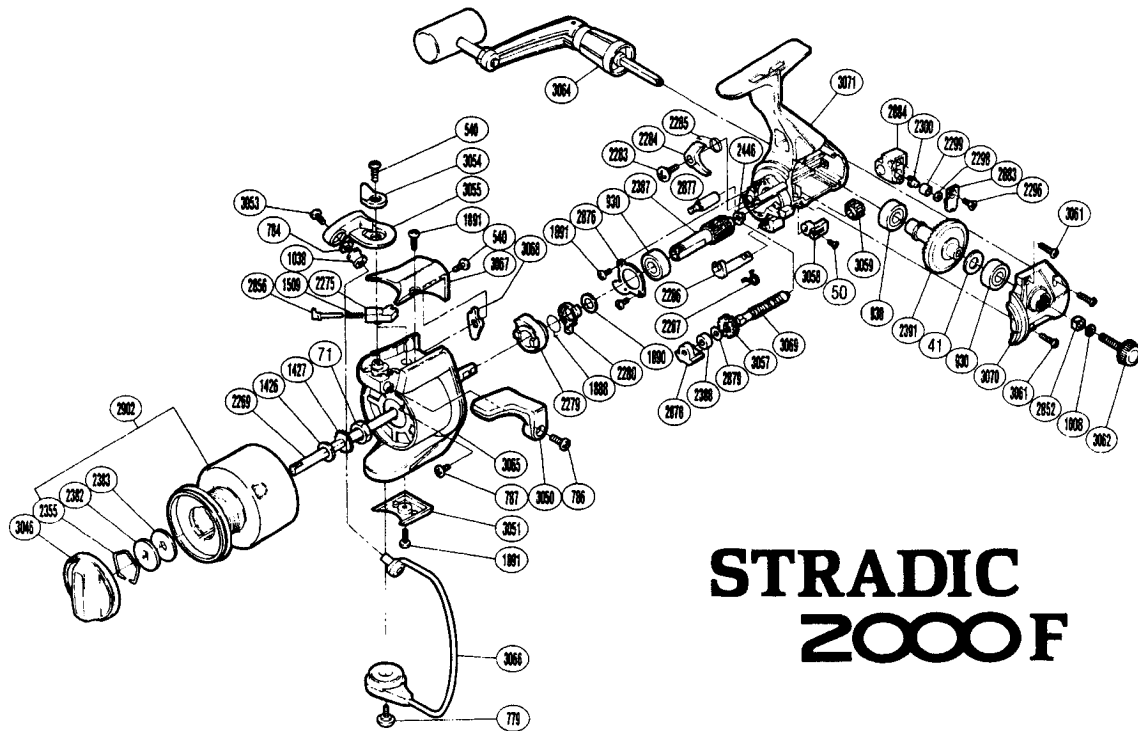


1991 REPAIR MANUAL
 Shimano American Corporation, One Shimano Dr.
 Irvine, CA 92718


STRADIC 2000F

TO ORDER: USE RD PREFIX
WITH PART NUMBER

PARTS LIST

RD #	DESCRIPTION	RD #	DESCRIPTION	RD #	DESCRIPTION
0041	Drive Gear Washer	2284	Anti-Reverse Pawl	2884	Oscillating Slider
0050	Anti-Reverse Lever Screw	2285	Anti-Reverse Pawl Spring	2902	Spool Assembly
0071	Rotor Nut	2286	Anti-Reverse Cam	3046	Drag Knob
0540	Multi Purpose Screw	2287	Anti-Reverse Cam Spring	3050	Quick-Fire II Trigger
0779	Bail Trip Cam Screw	2296	Slider Retainer Screw	3051	Rotor Side Cover
0784	Line Roller Washer	2298	Spacer	3053	Line Roller Screw
0786	Trigger Screw	2299	Oscillating Slider Bushing	3054	Trigger Cam
0787	Nut Lock Screw	2300	Oscillating Pawl	3055	Bail Arm
0930	Ball Bearing	2355	Drag Washers Retainer	3057	Idle Gear (A)
1008	Handle Lock Washer	2382	Key Washer	3058	Anti-Reverse Lever
1038	SiC Ceramic Roller	2283	Drag Washer	3059	Idle Gear (B)
1426	Spool Washer	2387	Pinion Gear	3061	Side Cover Screw
1427	Spool Support	2388	Ball Bearing	3062	Handle Screw Cap
1509	Bail Spring	2391	Drive Gear	3064	Handle Assembly
1888	Anti-Reverse Lock Out Spring	2446	Bushing	3065	Rotor
1890	Bushing Washer	2852	Handle Screw Lock	3066	Bail Assembly
1891	Multi Purpose Screw	2856	Bail Spring Guide (A)	3067	Bail Spring Cover
2269	Main Shaft	2876	Bearing Retainer	3068	Bail Trip Lever
2275	Bail Spring Guide (B)	2877	Idle Gear (B) Shaft	3069	Worm Shaft
2279	Anti-Reverse Ratchet	2878	Worm Bearing	3070	Side Cover
2280	Anti-Reverse Lock Out	2879	Worm Shaft Spacer	3071	Body
2283	Anti-Reverse Pawl Screw	2883	Oscillating Pawl Cover		

Prices and specifications subject to change without notice

1/1991