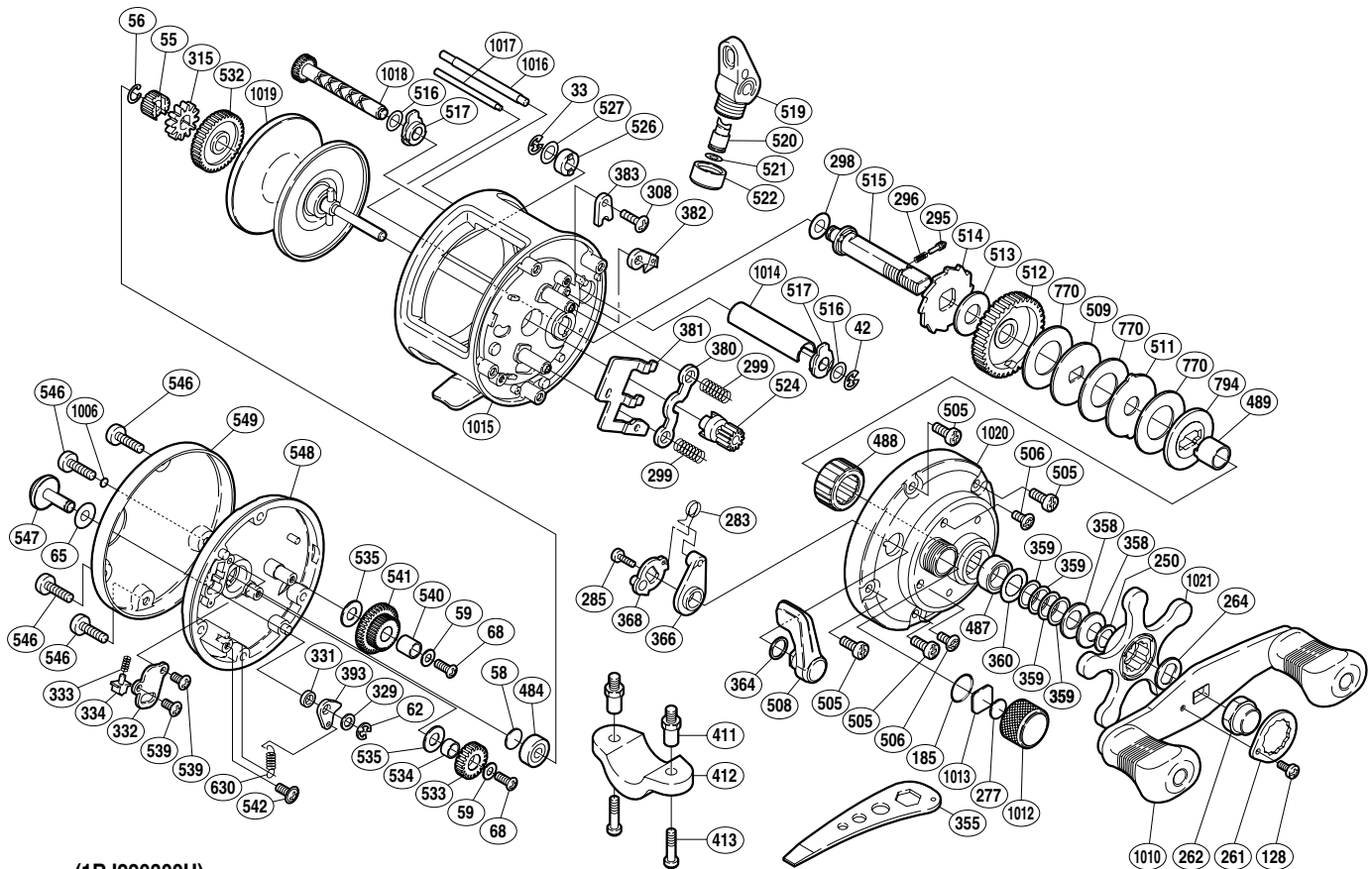


SHIMANO®

TEKOTA ⚙️ A-RB

TEK-300



(1RJ220300U)

Part No.	Description	Part No.	Description	Part No.	Description
TGT0033	E Lock	TGT0364	Smoother	TGT0534	Idle Gear B Support
TGT0042	E Lock	TGT0366	Eccentric Cam Bushing	TGT0535	Spacer
TGT0055	Idle Gear A	TGT0368	Clutch Cam	TGT0539	Screw
TGT0056	C Lock	TGT0380	Yoke	TGT0540	Idle Gear D Support
TGT0058	Spacer B	TGT0381	Yoke Plate	TGT0541	Idle Gear D
TGT0059	Lock Washer	TGT0382	Anti-Reverse Pawl	TGT0542	Screw
TGT0062	E Lock	TGT0383	Anti-Reverse Pawl Keeper	TGT0546	Screw
TGT0065	Washer	TGT0393	Click Pawl	TGT0547	Click Button
TGT0068	Screw	TGT0484	Ball Bearing	TGT0548	Left Side Plate
TGT0128	Screw	TGT0487	Ball Bearing	TGT0549	Left Side Plate Cover
TGT0185	O Ring	TGT0488	Roller Clutch Bearing	TGT0630	Click Pawl Spring
TGT0250	Washer	TGT0489	Roller Clutch Inner Tube	TGT0770	Drag Washer
TGT0261	Handle Nut Plate	TGT0505	Screw	TGT0794	Key Washer
TGT0262	Handle Nut	TGT0506	Screw	TGT1006	Spacer
TGT0264	Drive Shaft Shield	TGT0508	Clutch Lever	TGT1010	Handle Assembly
TGT0277	Cast Control Spacer	TGT0509	Key Washer	TGT1012	Cast Control Cap
TGT0283	Clutch Spring	TGT0511	Eared Washer	TGT1013	Spool Tension Spacer
TGT0285	Screw	TGT0512	Drive Gear	TGT1014	Level Wind Guard
TGT0295	Click Pin	TGT0513	Drag Washer	TGT1015	One-Piece Frame
TGT0296	Click Spring	TGT0514	Anti-Reverse Ratchet	TGT1016	Stabilizer Bar A
TGT0298	Washer	TGT0515	Drive Shaft	TGT1017	Stabilizer Bar B
TGT0299	Yoke Spring	TGT0516	Washer	TGT1018	Worm Shaft
TGT0308	Screw	TGT0517	Worm Bushing	TGT1019	Spool Assembly
TGT0315	Click Gear	TGT0519	Line Guide	TGT1020	Right Side Plate
TGT0329	Spacer	TGT0520	Line Guide Pawl	TGT1021	Star Drag
TGT0331	Click Pawl Spacer	TGT0521	Spacer		
TGT0332	Click Spring Retainer	TGT0522	Pawl Cap		
TGT0333	Click Spring	TGT0524	Pinion Gear	TGT0411	Rod Clamp Nut (accessory)
TGT0334	Click Spring Holder	TGT0526	Drive Shaft Bushing	TGT0412	Rod Clamp (accessory)
TGT0358	Coned Disc Spring	TGT0527	Spacer	TGT0413	Rod Clamp Bolt (accessory)
TGT0359	Washer	TGT0532	Counter Gear A		
TGT0360	Bearing Seal	TGT0533	Idle Gear B	TGT0355	Wrench (accessory)

(170908)